

AG2

COSHH essentials for farmers



This information will help employers, the self-employed and contractors comply with the Control of Substances Hazardous to Health Regulations 2002 (COSHH), as amended, to control exposure and protect workers' health.

It is also useful for trade union safety representatives.

This sheet describes good practice using enclosed and extracted transfer equipment or, if that is not practicable, respiratory protective equipment (RPE).

It covers the key points you need to follow to help reduce exposure to an adequate level.

It is important to follow all the points, or use equally effective measures.

See also sheet AG11, *Cleaning stores, sheds and silos*.

Main points

- High dust levels are produced during grain and seed transfer.
- Keep exposure as low as possible using all the controls in this sheet.
- Health surveillance is usually needed - see sheet G402.

Grain and seed transfer (small scale)

Control approach 2 Engineering control

Hazard

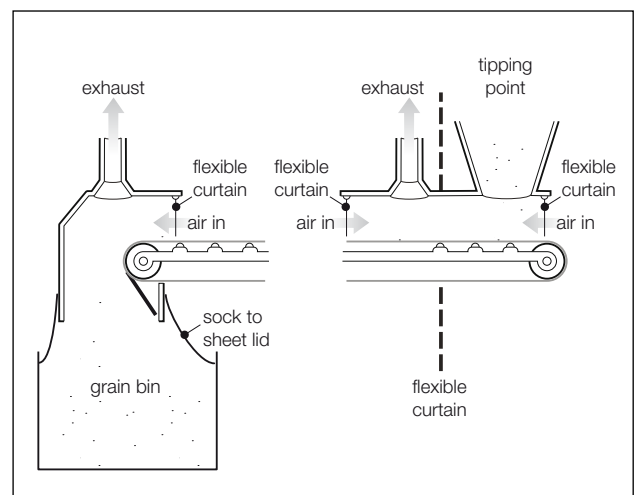
- ✓ Dust is produced by moving, drying and processing grain and seed. The dust contains bacteria, fungi and insect residues, and can cause lung diseases such as asthma and farmer's lung.
- ✓ Control exposure to stop occupational lung diseases developing - this means short-term as well as long-term exposure.
- ✓ When all controls are applied properly, less than 10 mg/m³ grain dust is usually achievable (based on an 8-hour time weighted average).
- ✓ If an individual develops occupational asthma, avoid further exposure.

Access and premises

- ✓ Only allow access to trained people.
- ✓ Can you segregate the tipping point from the grain store?

Equipment and procedures

- ✓ Can you turn on the equipment and leave the area?
- ✓ Minimise dust escapes:
 - enclose the tipping point, eg with plastic strip curtains; and
 - discharge into covered storage bins through a sock.
- ✓ Use enclosed or extracted elevators and conveyors.
- ✓ You need an inward air speed between 1 and 2.5 metres per second into the openings.
- ✓ Fit manometers or pressure gauges near extraction points, to show that the system is working properly.
- ✓ Mark the acceptable range of readings.
- ✓ Keep extraction ducts short and simple - avoid long sections of flexible duct.
- ✓ If possible, discharge cleaned, extracted air to a safe place outside, away from doors, windows and air inlets.



- ✓ If you cannot avoid breathing dust, use respiratory protective equipment (RPE).
- ✓ Consult a qualified ventilation engineer to design new control systems or to update current controls. See sheet G406.

Caution: Some dusts (eg from barley) are very irritating to skin.

Respiratory Protective Equipment (RPE)

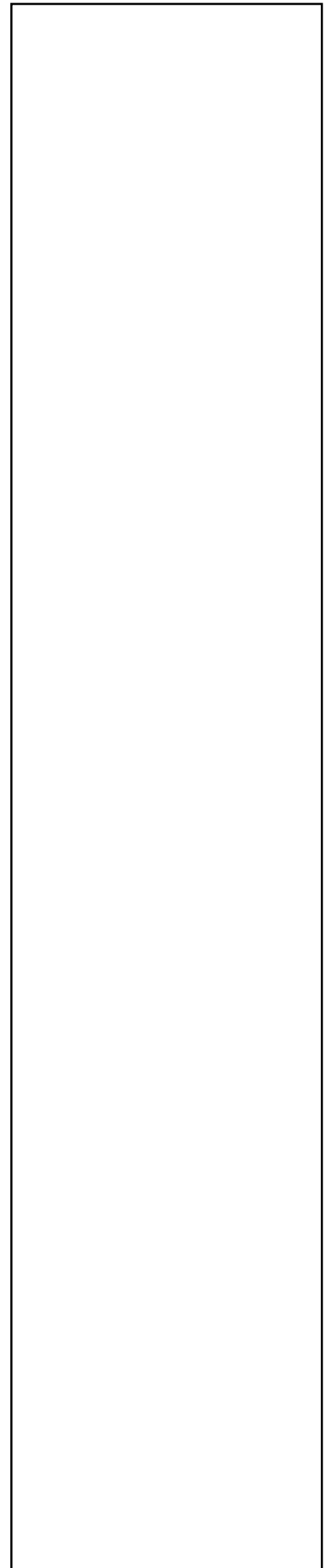
- ✓ RPE should not be needed if the extraction works properly and dust enclosures are sound.
- ✓ RPE is needed for maintenance and cleaning inside the machinery, or where dust clouds are unavoidable.
- ✓ Powered or air-fed RPE is more comfortable to wear.
- ✓ Select RPE that suits the wearer, the job and the work environment.
- ✓ Use RPE with an assigned protection factor (APF) of at least 10. See sheet R2.
- ✓ Disposable RPE, type FFP2, is acceptable. Don't use 'nuisance dust' masks.
- ✓ Make sure that RPE fits properly - get advice from your supplier or read the instructions on the box.
- ✓ Train workers to check their RPE works properly before use.
- ✓ Replace RPE filters as recommended by the supplier. Throw away disposable RPE at the end of the day, or sooner if heavily soiled.
- ✓ Keep RPE clean and store it away from dust.

Maintenance, examination and testing

- ✓ Follow instructions in maintenance manuals - keep equipment in effective and efficient working order.
- ✓ Every time you use the equipment, look for signs of damage, eg to ducts and seals. Noisy or vibrating fans indicate a problem.
- ✓ Check that dust extraction and gauges work properly.
- ✓ If the extraction is faulty, use RPE until it is repaired and for carrying out repairs.
- ✓ You need to know the manufacturer's specifications to check the extraction's performance.
- ✓ If this information isn't available, hire a competent ventilation engineer to determine the performance needed for effective control.
- ✓ The engineer's report must show the target extraction rates.
- ✓ Keep this information in your testing log-book.
- ✓ Get a competent ventilation engineer to examine the extraction thoroughly and test its performance at least once every 14 months. See the HSE publication HSG54 - see 'Further information'.
- ✓ Examine and test non-disposable RPE thoroughly at least once every three months.
- ✓ Keep records of all examinations and tests for at least five years.
- ✓ Review records - failure patterns show where preventive maintenance is needed.

Cleaning and housekeeping

- ✓ Use gentle shovelling and a Type H vacuum cleaner fitted with a HEPA filter, or wet clean to avoid stirring up dust.
- Caution: Don't use a brush or compressed air, and never use compressed air to remove dust from clothing.**



Health surveillance

- ✓ There is a chance of asthma developing, even with good controls in place. Use health surveillance - see Sheet G402.
- ✓ Ask an occupational physician for advice - see 'Useful links'

Training and supervision

- ✓ Tell workers that grain and seed crop dust can cause lung diseases including asthma. Show them this sheet.
- ✓ Working in the right way and using the controls correctly is important for exposure control. Train and supervise workers. See sheet AG0.
- ✓ Ensure that health surveillance is carried out on everyone that needs it.

Further information

- *Maintenance, examination and testing of local exhaust ventilation* HSG54 (Second edition) HSE Books 1998 ISBN 0 7176 1485 9
- *Preventing asthma at work. How to control respiratory sensitisers* L55 HSE Books 1994 ISBN 0 7176 0661 9
- *Farmer's lung* Agricultural Safety Leaflet AS5 HSE Books 1995
- *Controlling grain dust on farms* Agriculture Information Sheet AIS3(rev) HSE Books 1996
- See www.hse.gov.uk/pubns/agindex.htm for other advice on health and safety risks in agriculture.

Useful links

- HSE priced and free publications are available from HSE Books
Tel: 01787 881165 Website: www.hsebooks.co.uk.
- For information about health and safety ring HSE's Infoline Tel: 0845 345 0055 Textphone: 0845 408 9577 e-mail: hse.infoline@natbrit.com.
- Contact the British Occupational Hygiene Society (BOHS) on 01332 298101 or at www.bohs.org for lists of qualified hygienists who can help you.

Employee checklist

- Do you know how to use the dust controls properly?
- Is the extraction working?
- Look for signs of leaks, wear and damage.
- If you find any problems, get them fixed. Don't just carry on working.
- Co-operate with health surveillance.

This guidance is issued by the Health and Safety Executive. Following the guidance is not compulsory and you are free to take other action. But if you do follow the guidance you will normally be doing enough to comply with the law. Health and safety inspectors seek to secure compliance with the law and may refer to this guidance as illustrating good practice.