

WL18

COSHH essentials for welding, hot work and allied processes



This information will help employers (including the self-employed) comply with the Control of Substances Hazardous to Health

Regulations 2002 (COSHH), as amended, to control exposure and protect workers' health.

It is also useful for trade union safety representatives.

Abrasive blasting produces a great deal of dust. There is an increased risk of lung disease.

This sheet describes good practice using containment - a blasting cabinet.

It covers the points you need to follow to reduce exposure to an adequate level.

It is important to follow all the points, or use equally effective measures.

Sand is banned as a blasting abrasive.

Also protect workers from noise.

Main points

- Dust from blasting can cause serious lung diseases.
- Keep exposure as low as possible using all the controls in this sheet.
- Design, install, commission and maintain engineering controls. See sheet G406.
- Health monitoring is usually needed. See sheet G401.

Surface preparation: Pressure blasting (small items)

Control approach 3 Containment

Access and premises

- ✓ Only allow access to authorised staff.

Equipment

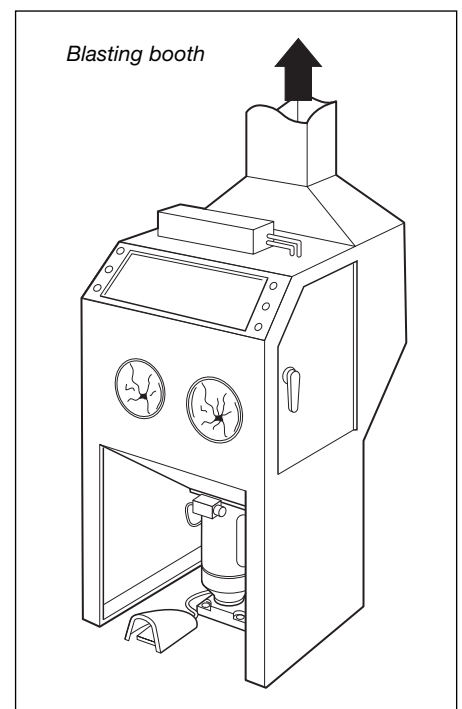
- ✓ Can you use wet blasting or high-pressure water jetting in place of dry abrasive blasting?
- ✓ Use a fully enclosed cabinet or booth for blasting, held under negative pressure.
- ✓ Fit a pressure gauge, interlocked with the power supply.
- ✓ You need a high standard of filtration for the air discharged from the booth.
- ✓ Discharge cleaned, extracted air to a safe place outside the building, away from doors and windows.

Procedures

- ✓ Run the booth for two minutes after blasting has ceased to clear the air.

Maintenance, examination and testing

- ✓ Follow the instructions in the manual - keep equipment in effective and efficient working order.
- ✓ If any equipment is faulty, stop work until it is repaired.
- ✓ Daily, look for signs of damage to ducting, fans and air filters. Noisy or vibrating fans can indicate a problem.
- ✓ At least once a week, check that the extraction system and gauges work properly.
- ✓ You need to know the manufacturer's specifications to check the extraction's performance.
- ✓ If this information isn't available, hire a competent ventilation engineer to determine the performance needed for effective control.
- ✓ Keep this information in your testing log-book.



-
- ✓ Get a competent ventilation engineer to examine the extraction thoroughly and test its performance at least once a month. See the HSE publication HSG54 - see 'Further information'.
 - ✓ Test any RPE at least once every three months.
 - ✓ Keep records of all examinations and tests for at least five years.
 - ✓ Review records - failure patterns show where preventive maintenance is needed.

Personal protective equipment (PPE)

- ✓ Ask your safety equipment supplier to help you get the right PPE.
- ✓ Provide storage for clean and contaminated PPE.

Respiratory protective equipment (RPE)

- ✓ RPE should not be needed if the enclosure is designed correctly and working properly.
- ✓ Use a P3 standard of RPE (assigned protection factor 20) for maintenance and cleaning. See sheet R3.
- ✓ Make sure all RPE is properly fit-tested - get advice from your supplier.
- ✓ Make sure that workers check their RPE works properly before use.
- ✓ Replace RPE filters as recommended by your supplier. Throw away disposable masks after one use.
- ✓ Keep RPE clean and store it away from dust.

Other protective equipment

- ✓ Use a properly equipped contract laundry or a suitable equivalent to wash work clothing.
- ✓ Skin creams help in washing contamination from the skin. After-work creams help to replace skin oils.

Caution: Never allow use of compressed air for removing dust from clothing.

Health monitoring

- ✓ You should consider health monitoring. See sheet G401.
- ✓ Consult an occupational health professional - see 'Useful links'.

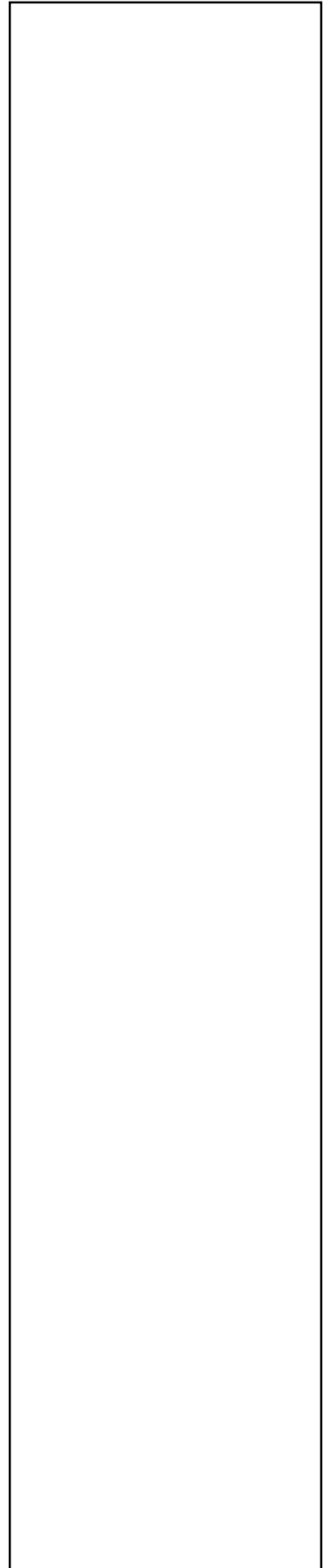
Cleaning and housekeeping

- ✓ Clear up abrasive spills and dusts every day.
- ✓ Clean the general workroom once a week.
- ✓ Use a Type H vacuum cleaner fitted with a HEPA filter to clear up dust.

Caution: Don't clean up with a brush or compressed air.

Training and supervision

- ✓ Tell workers that dust from surface treatment processes can cause serious lung diseases.
- ✓ Working in the right way and using the controls correctly is important for exposure control. Train and supervise workers. See sheet WL0.



Further information

- *Maintenance, examination and testing of local exhaust ventilation* HSG54 (Second edition) HSE Books 1998 ISBN 0 7176 1485 9
- *Respiratory protective equipment at work: A practical guide* HSG53 (Third edition) HSE Books 2005 ISBN 0 7176 2904 X
- For environmental guidelines see sheet WLO

Useful links

- Your trade association may advise on health and safety consultants and training providers.
- HSE priced and free publications are available from HSE Books
Tel: 01787 881165 Website: www.hsebooks.co.uk.
- HSE free leaflets can be downloaded from HSE's website:
www.hse.gov.uk/pubns.
- For information about health and safety ring HSE's Infoline Tel: 0845 345 0055 Textphone: 0845 408 9577 e-mail: hse.infoline@natbrit.com.
- Contact the British Occupational Hygiene Society (BOHS) on 01332 298101 or at www.bohs.org for lists of qualified hygienists who can help you.
- Look in the Yellow Pages under 'Health and safety consultants' and 'Health authorities and services' for 'occupational health'.
- Also see www.nhsplus.nhs.uk.

Employee checklist

- Do you know how to use the controls properly?
- Is the equipment in good condition and working properly?
- Check that any RPE works properly every time you use it.
- Use, maintain and store your protective equipment in accordance with instructions.
- Look for signs of leaks, wear and damage.
- If you find any problems, tell your supervisor. Don't just carry on working.
- Co-operate with health monitoring.
- Wash your hands before eating, drinking, or using the lavatory.
- Never clean your hands with solvents or concentrated cleaning products.
- Use skin creams provided as instructed.

This guidance is issued by the Health and Safety Executive. Following the guidance is not compulsory and you are free to take other action. But if you do follow the guidance you will normally be doing enough to comply with the law. Health and safety inspectors seek to secure compliance with the law and may refer to this guidance as illustrating good practice.